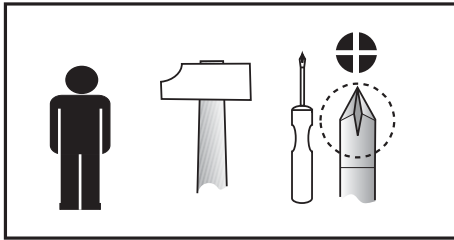
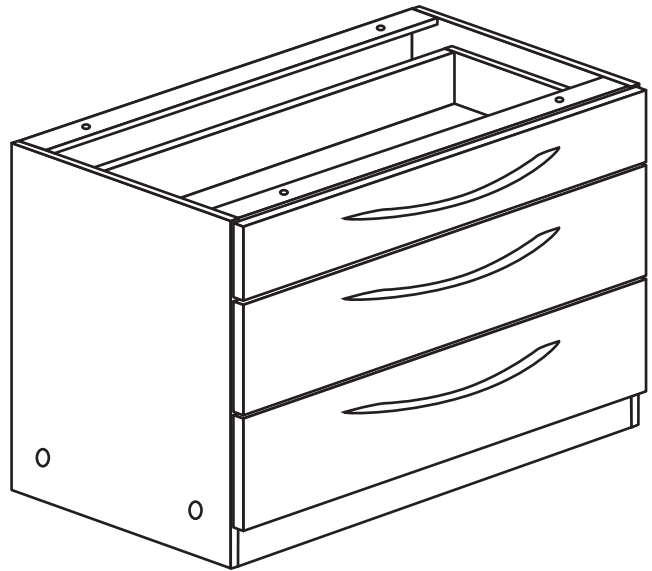
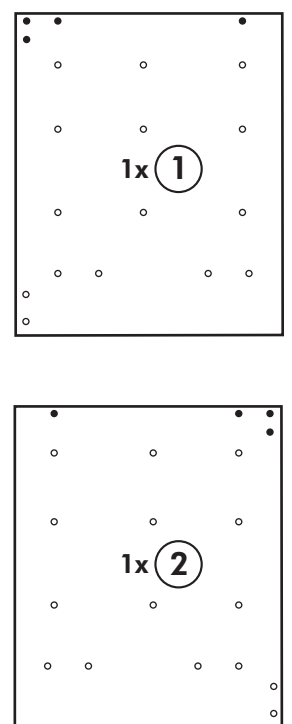
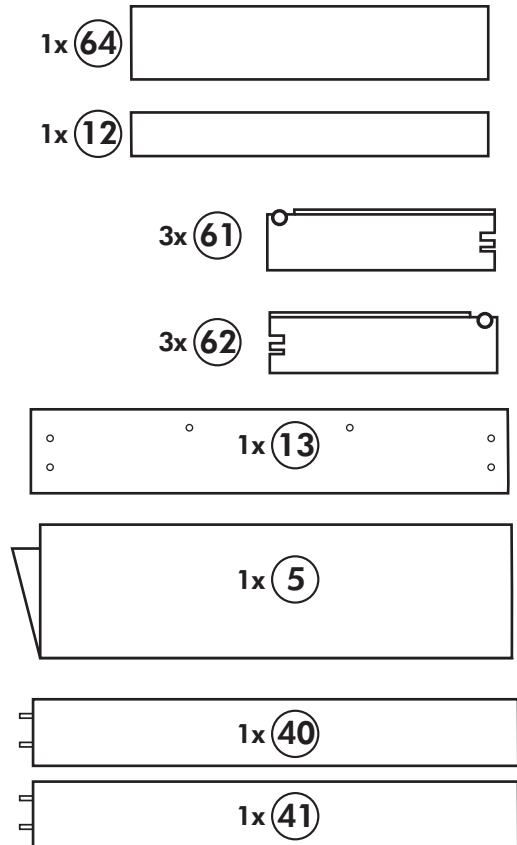
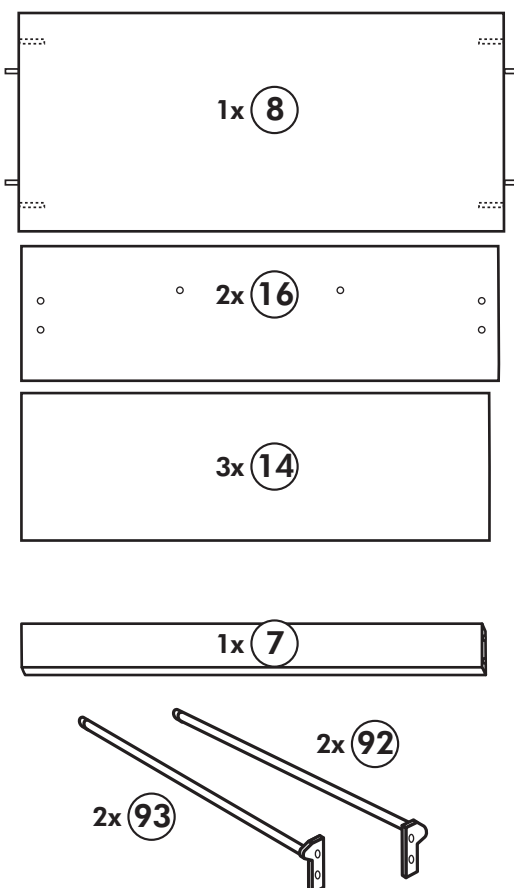


Unterschrank


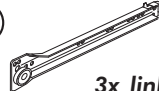


Nr. 016 Rev.01

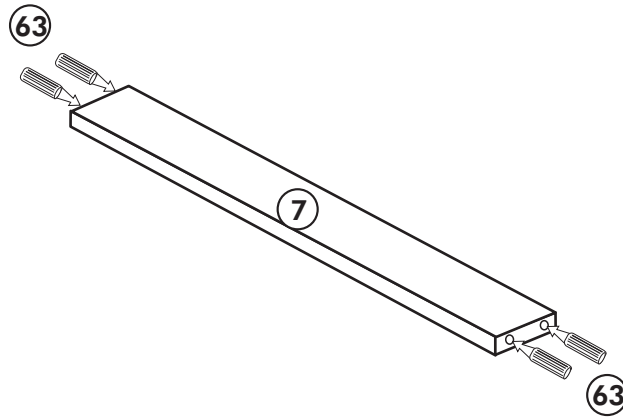
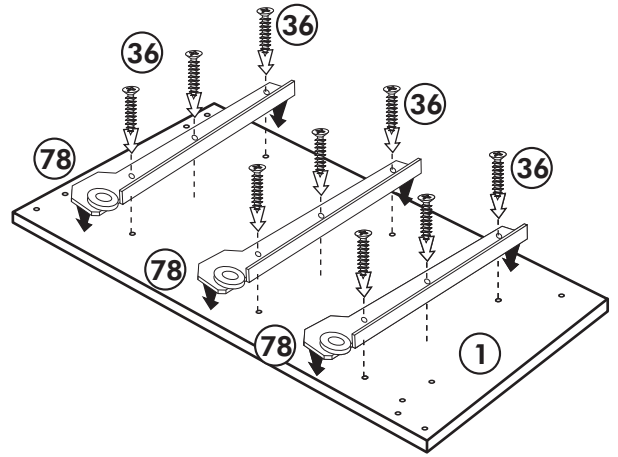
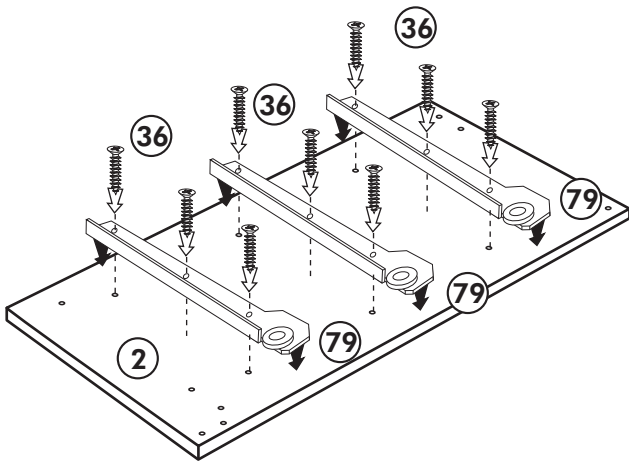


90 6x 					
78 3x links 	79 3x rechts 	22 4x 	36 56x 3,5 x 16 	23 4x 	21 3x
27 24x 3,0 x 20 	63 4x 8 x 30 	91 4x 	26 6x 4,0 x 30 M4 	70 1x LEIM GLUE 	106 4x 4,0 x 30





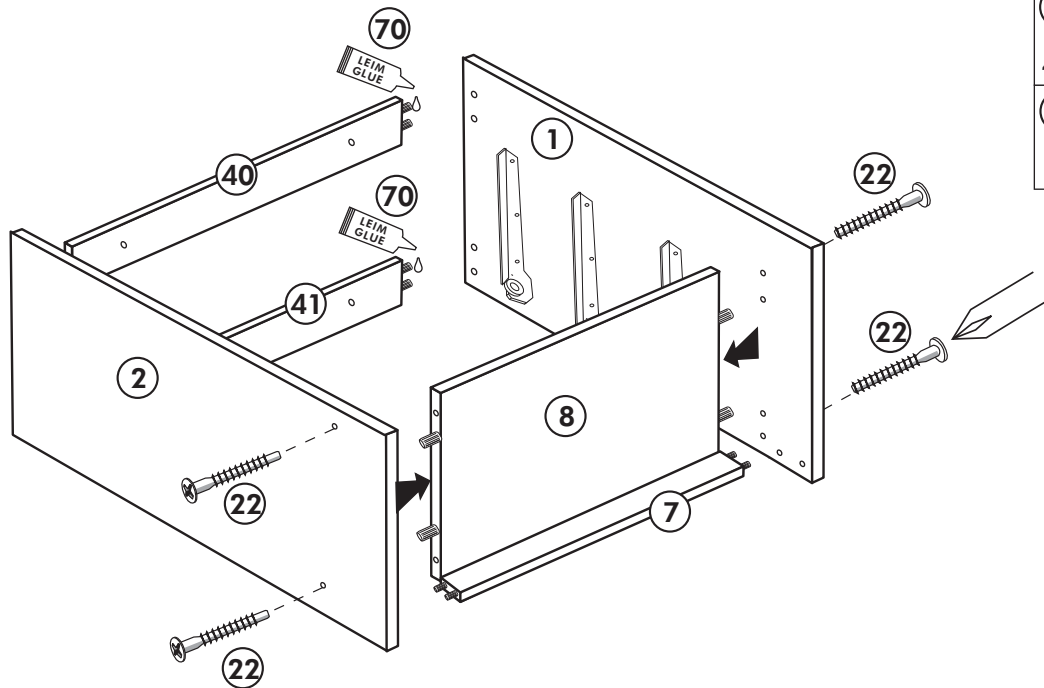
1

<p>79</p>  <p>3x rechts</p>	<p>78</p>  <p>3x links</p>	<p>36</p> <p>3,5 x 16</p>  <p>18x</p>
		<p>63</p> <p>8 x 30</p>  <p>4x</p>





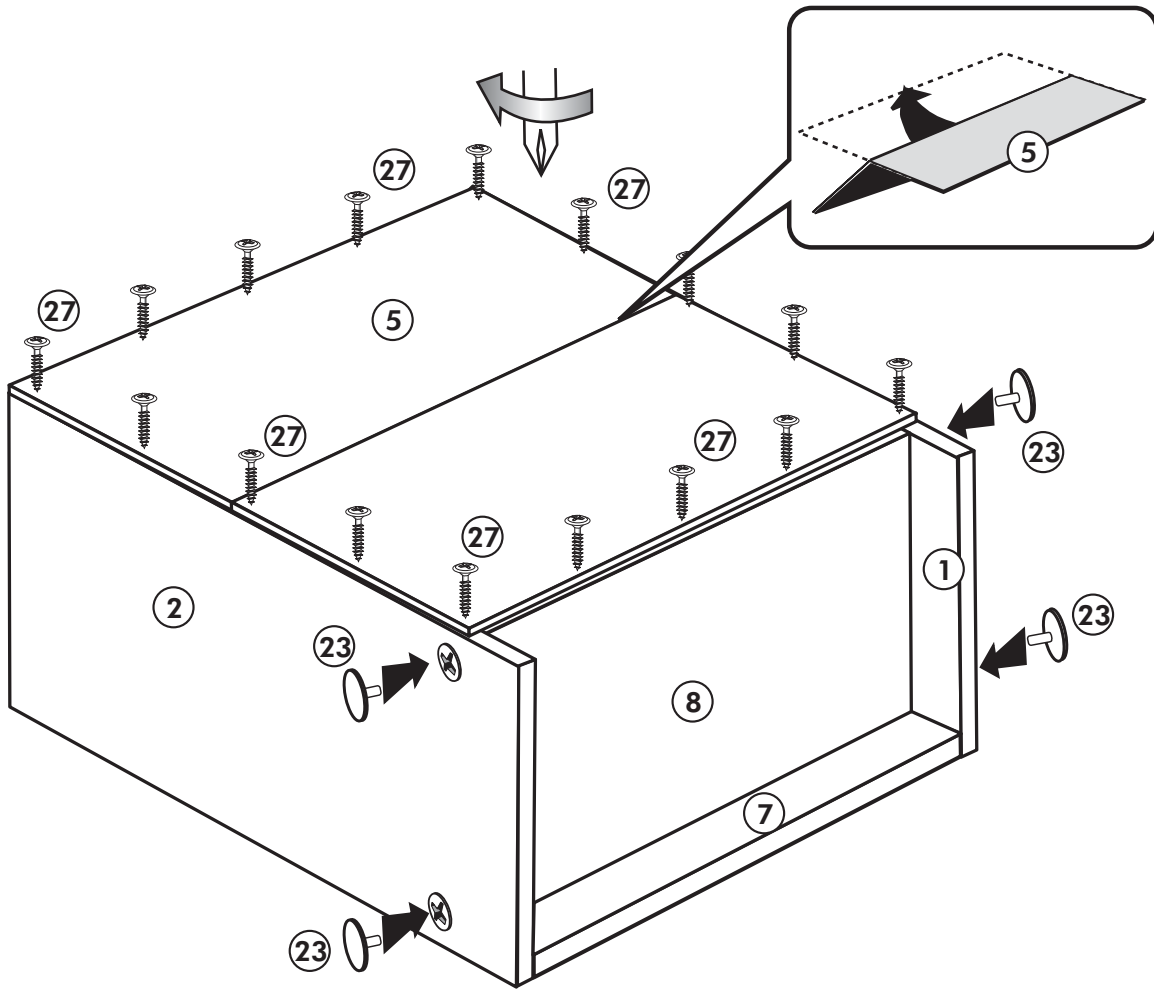
2

<p>22</p>  <p>4x</p>	<p>70</p>  <p>1x</p>
-----------------------------------------------------------------------------------------------------------	-----------------------------------------------------------------------------------------------------------

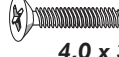

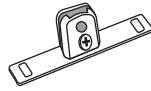




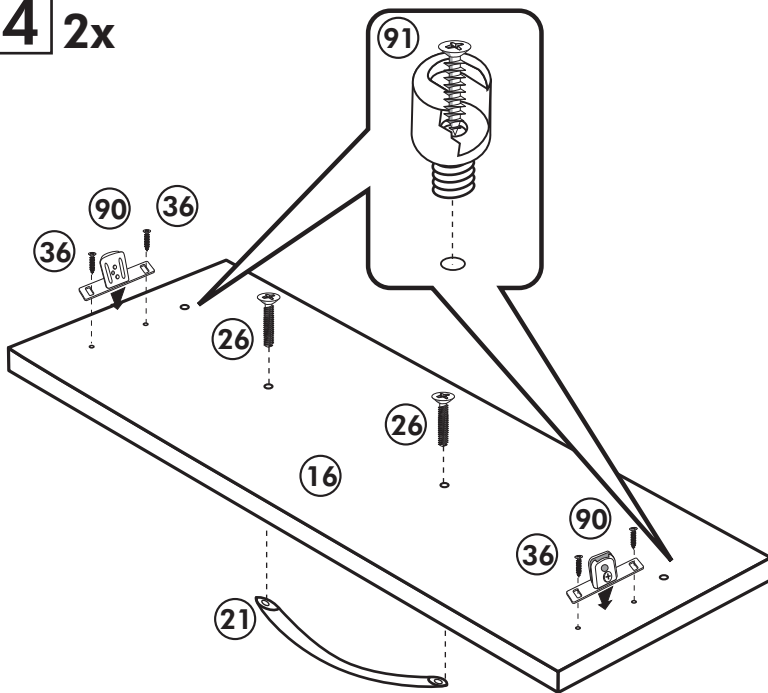
3

(27)	3,0 x 20
24x	
(23)	
4x	

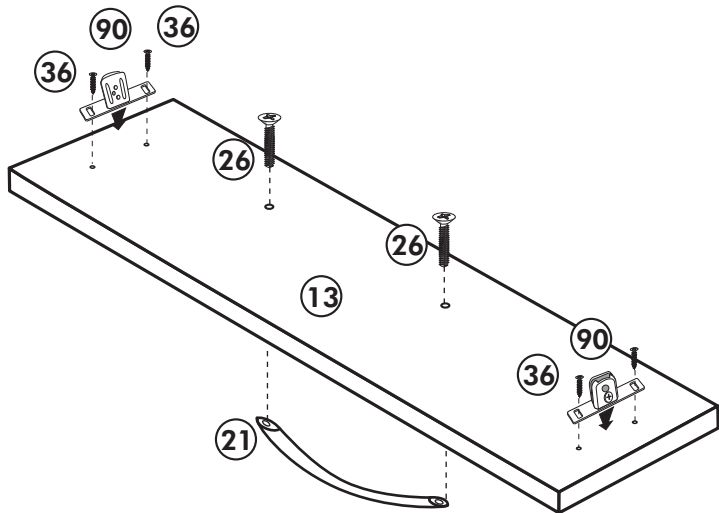


4 2x

(26)		(36)	3,5 x 16
4x	4,0 x 30 M4	8x	
(90)		(91)	
4x		4x	
		(21)	
		2x	



5

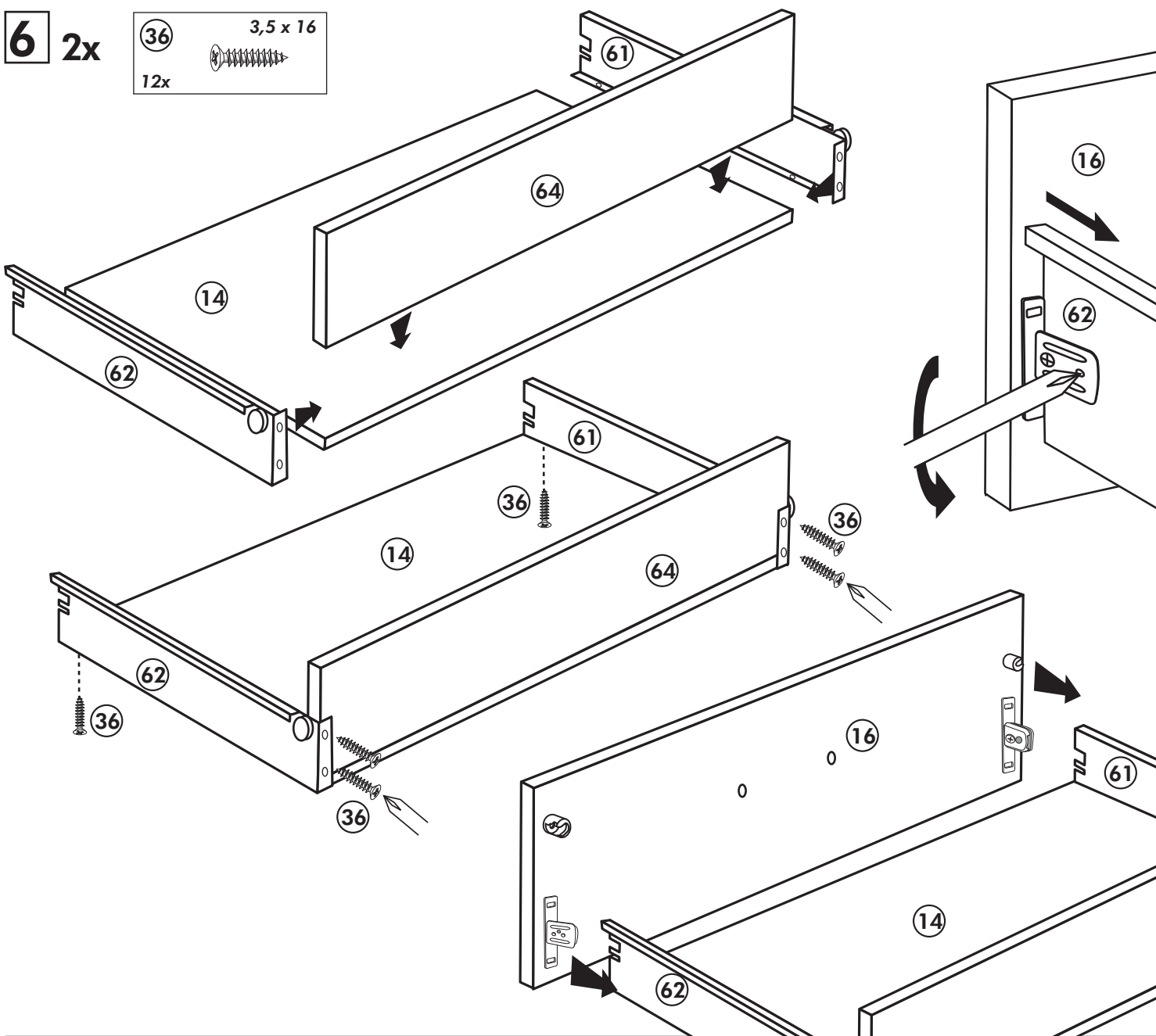


26 2x	4,0 x 30 M4	36 4x	3,5 x 16
90 2x		21 1x	

6

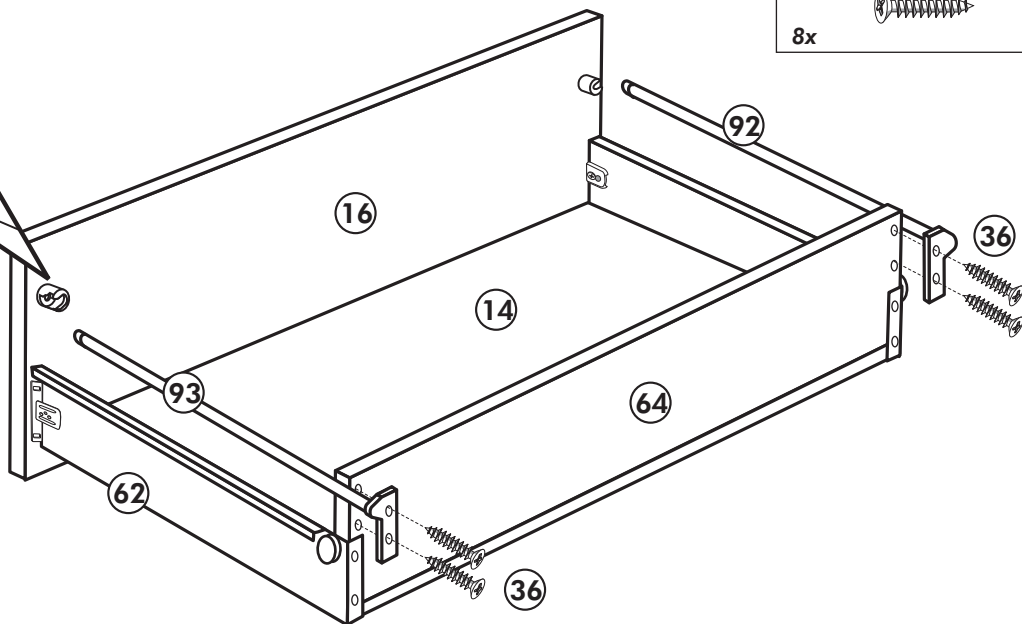
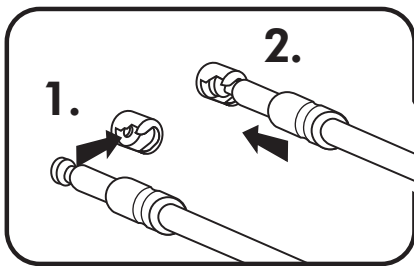
2x

36 12x	3,5 x 16
------------------	----------



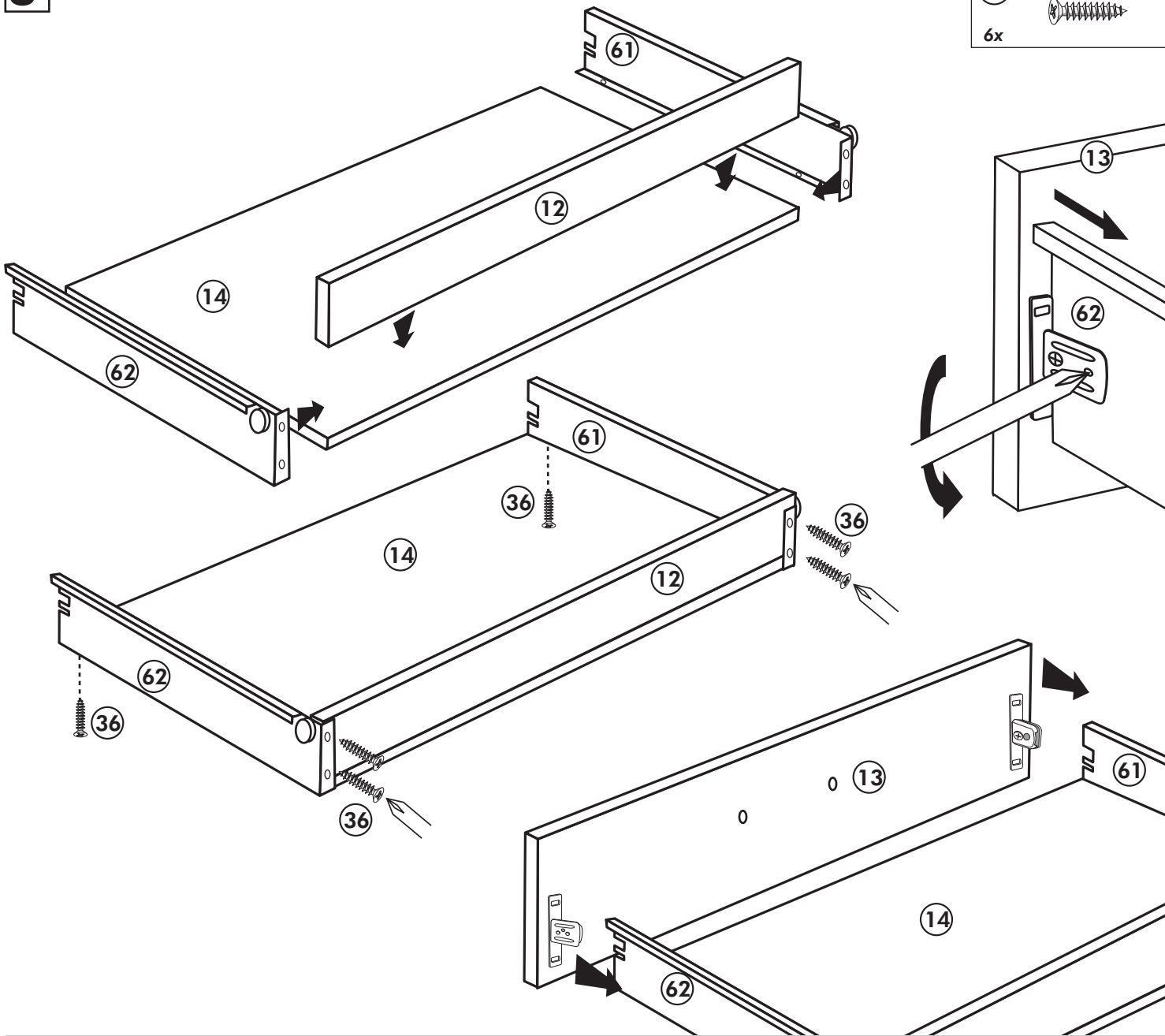
7 2x

36 3,5 x 16
8x



8

36 3,5 x 16
6x



9

106

4,0 x 30

4x

